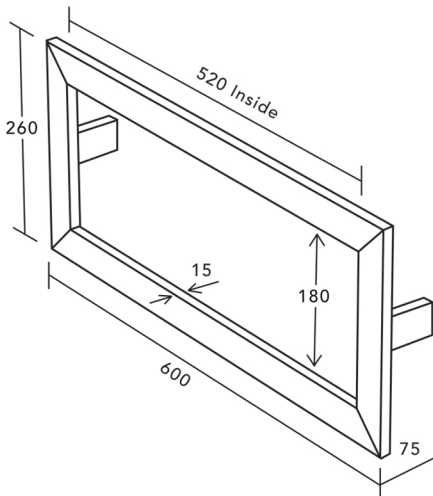


CUBIST 260
CODE: WSC260



MEASUREMENTS SUBJECT TO MANUFACTURING TOLERANCE